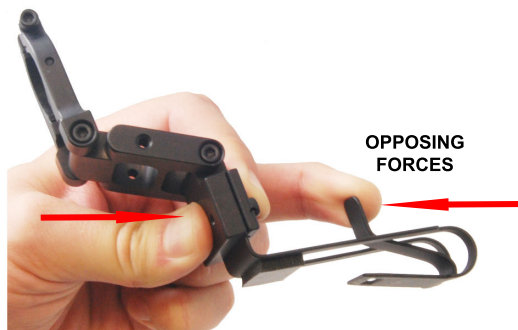
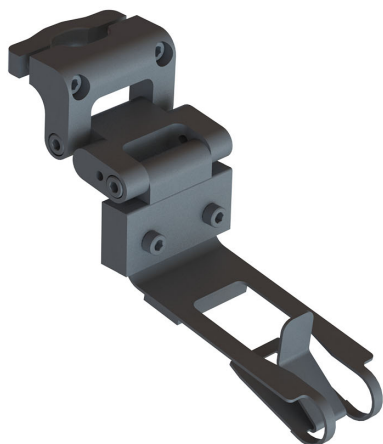




7 28028 48737 4

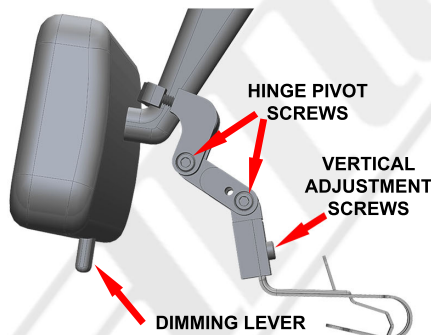
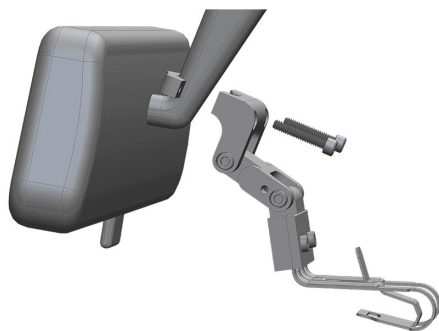
INSTALLATION INSTRUCTIONS FOR UNIDEN R1, R3, DFR8, and DFR9 RADAR DETECTORS


 OPPOSING
 FORCES

 RADAR DETECTOR
 RELEASE
 BUTTON

 SPRING CLIP
 RELEASE TAB

1 - Install and remove your radar detector (RD) onto the mount before installing it on the rear view mirror so you can observe how the spring clip functions. To release tension from the spring clip, simply squeeze the release tab and the back side of the mount together as shown above. This will lower the bottom portion of the spring clip allowing you to slide the RD on and off the mount. To install the RD, squeeze the release tab and slide the clip into the RD until it locks into position. To remove the RD, squeeze the release tab with one hand and press the RD release button with the other hand. Once the RD slides about 1/8" you can let go of the RD release button and slide the RD off of the spring clip. When used properly, the spring clip avoids putting excessive pressure on the mirror stem when installing and removing the RD.


 HINGE PIVOT
 SCREWS

 VERTICAL
 ADJUSTMENT
 SCREWS

DIMMING LEVER



3 - Install the mount while sitting in the passenger side of your vehicle. Remove the two socket head screws so the top portion of the mount may be removed. Position the mount on the bottom of the stem as shown above. Reattach the top portion of the mount. Tighten both screws evenly making sure it is in the correct position as shown above. Tighten both screws until mount is securely attached to the mirror stem.

4 - Install the RD onto the mount. We recommend you adjust the RD so it is as close to the bottom of the mirror as possible. Using the vertical adjustment and orienting the double pivot center link, adjust RD upward as far as possible while making sure the mirror dimming switch is still accessible. After all adjustments are made, be sure to check that the pivot and vertical adjustment screws are tight. Grab the long arm of the allen wrench to assure that these screws are securely tightened.

 FOR MORE INFO VISIT www.blendmount.com/videos
CAUTION

DO NOT use this mount if it interferes with the adjustability or the operation of your rear view mirror in any way.

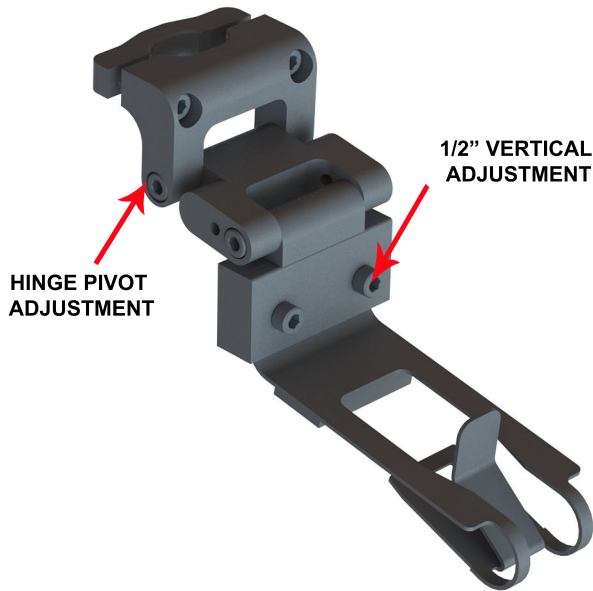
DO NOT use this mount if the radar detector creates an unsafe viewing obstruction.

DO NOT ATTEMPT TO MODIFY THIS PRODUCT. Consult the manufacturer for assistance.

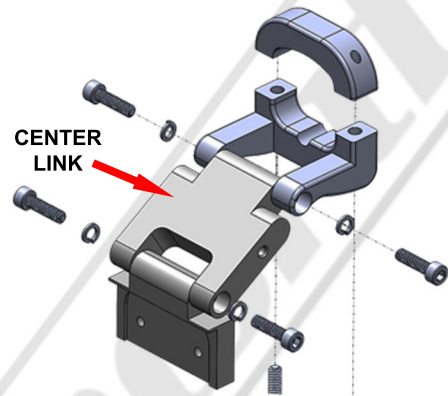
All BlendMount products are accompanied with detailed installation instructions and adjustment tips. You are encouraged to contact customerservice@blendmount.com or call J28 Design at 1-888-497-8388 for further assistance.

Check the BlendMount Forum for installation tips and some vehicle specific installs.
www.blendmount.com

Your feedback is very important to us. Please email any questions or comments you have to customerservice@blendmount.com



BLENDMOUNT CENTER LINK



5 - The center-link may be removed if an overall shorter mount length is needed, depending on your rear view mirror and desired position for the RD. With multiple adjustments available, you should be able to position your RD right where you want it. If you are unable to achieve this, be sure to contact us at 1-707-664-8234



6 - If the RD is too close to the bottom of the mirror, You may access the buttons on top of the RD by gently pushing downward on the front of the RD with one finger and push the desired button with another finger. Then allow the RD to return to it's original position by gently letting it spring upward. When accessing the buttons, be sure to push the RD downward just enough for your finger to fit between the RD and mirror. **Do not push down more than what is needed.**



SCAN THE QR CODE WITH YOUR SMART PHONE TO VIEW INSTALL VIDEOS

NOTE : This mount can get extremely hot when sitting in direct sunlight. If you intend to remove your RD frequently, you may want to install the two gray "TOUCH STRIPS" included in the tool kit. Place them where your fingers make contact with the mount. They may be trimmed with a blade or knife.

CAUTION

- DO NOT** use this mount if it interferes with the adjustability or the operation of your rear view mirror in any way.
- DO NOT** use this mount if the radar detector creates an unsafe viewing obstruction.
- DO NOT ATTEMPT TO MODIFY THIS PRODUCT.** Consult the manufacturer for assistance.

All BlendMount products are accompanied with detailed installation instructions and adjustment tips. You are encouraged to contact customerservice@blendmount.com or call J28 Design at 1-888-497-8388 for further assistance.

Check the BlendMount Forum for installation tips and some vehicle specific installs.
www.blendmount.com

Your feedback is very important to us. Please email any questions or comments you have to customerservice@blendmount.com